

KIS Beam Technology

Market Solutions



SMART SOLUTIONS FOR
DEMANDING INDUSTRIES

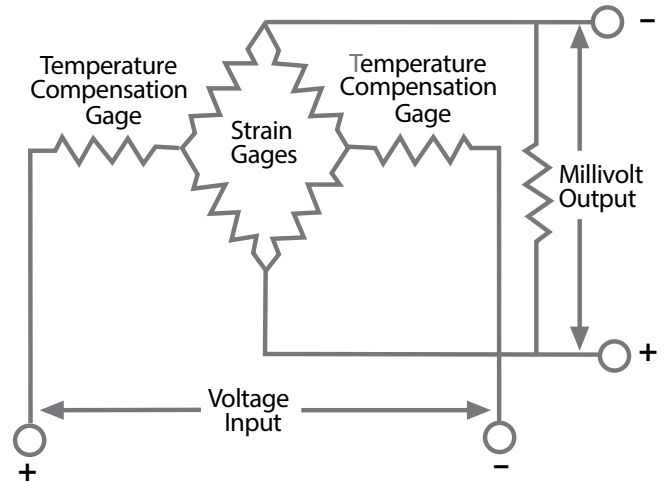
BLH NOBEL
A VPG Brand

The KIS Double Cantilever Advantage

Start with the best gages and the best gage configuration

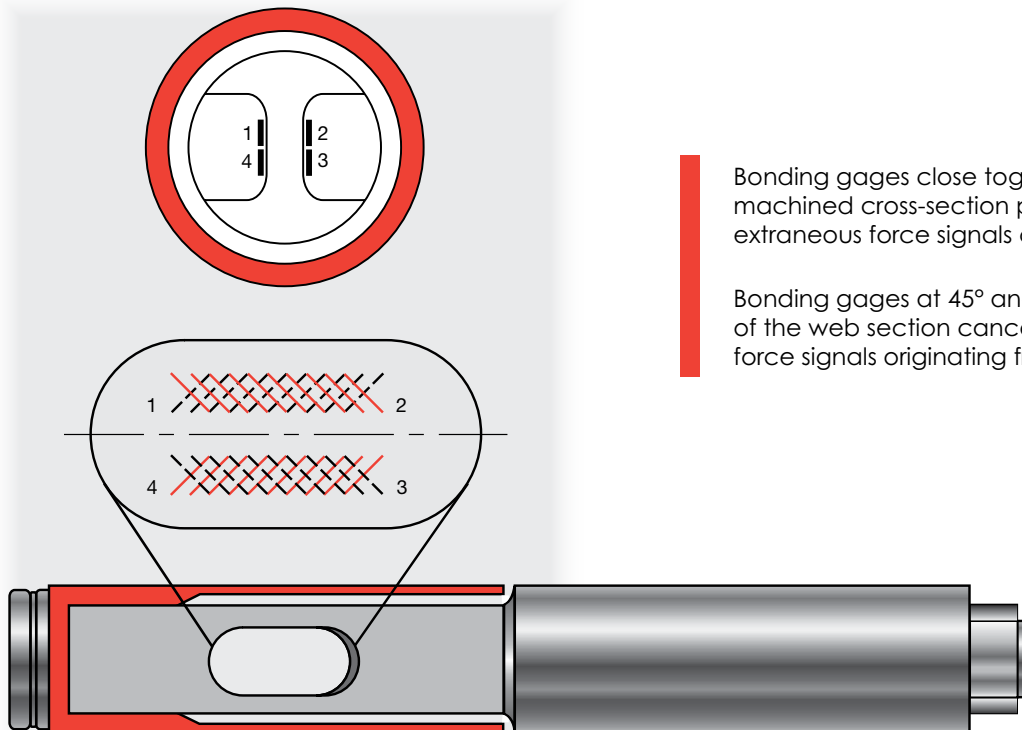
KIS Beam technology incorporates SR-4® foil strain gages connected as a full Wheatstone bridge that is temperature-compensated and calibrated to deliver accuracy and reliability. And because all KIS Beams are factory-calibrated, installation and setup are quick and easy with no need for on-site calibration (unless mechanical obstructions prevent a "freestanding" vessel).

- Full temperature compensation eliminates drift
- Matched outputs provide simple replacement
- Factory calibration for repeatability, reliability, and low installation cost
- 0.01% repeatability: 0.02% combined error



Full Wheatstone bridge electronic configuration

Then bond the Wheatstone bridge configuration to a thin web cross-section of the sensing element ...



- Bonding gages close together, inside of a machined cross-section pocket, eliminates (nulls) extraneous force signals caused by side loads
- Bonding gages at 45° angles on opposite sides of the web section cancels out (nulls) extraneous force signals originating from end loads

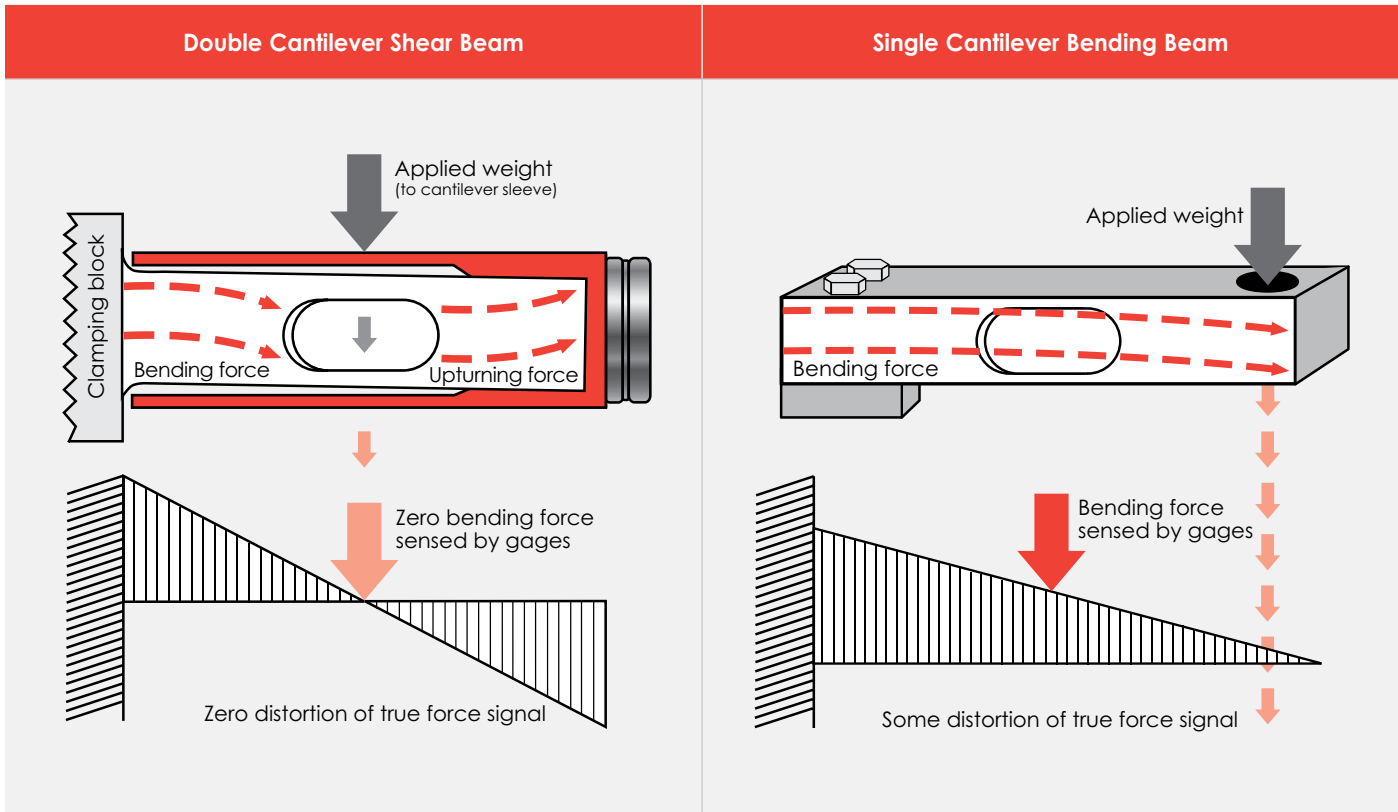
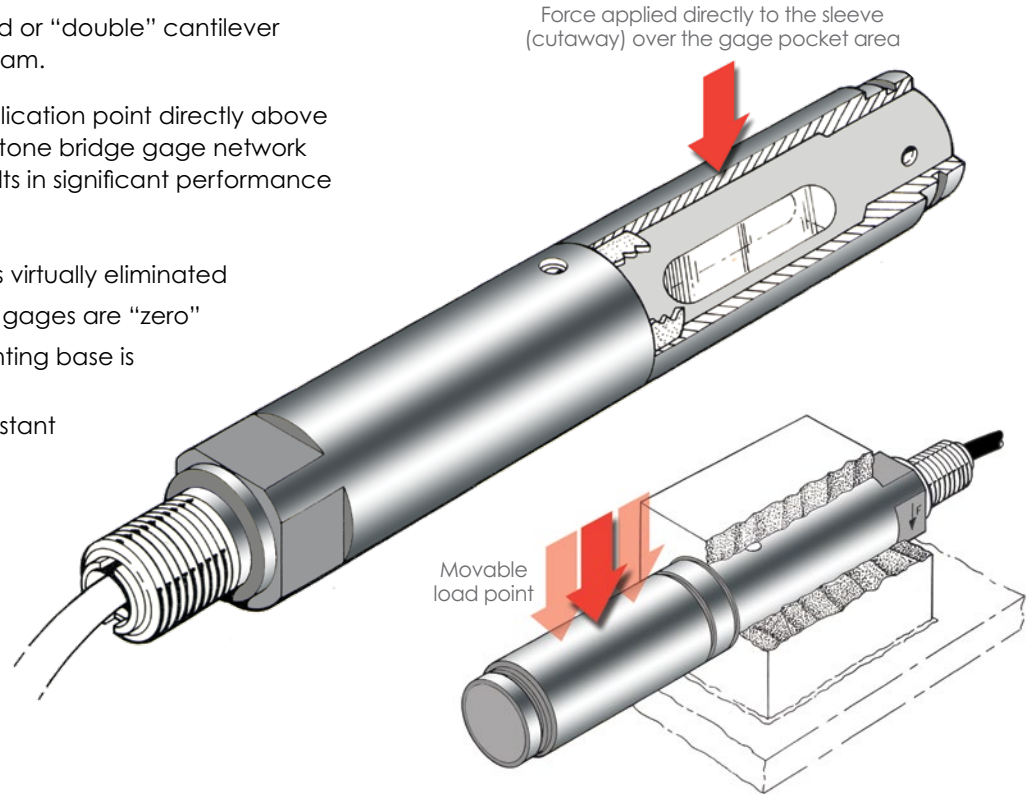
... and ...

... place the load right over the gages

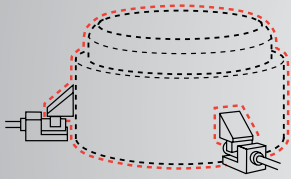
KIS Beam design adds a second or "double" cantilever sleeve over the actual load beam.

This locates the load force application point directly above the gages. Placing the Wheatstone bridge gage network beneath the applied load results in significant performance advantages:

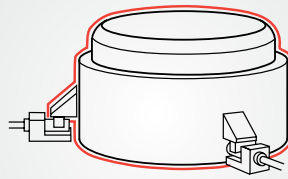
- Side load force sensitivity is virtually eliminated
- Moment stresses upon the gages are "zero"
- Bending stress at the mounting base is reduced by 50%
- Shears stresses remain constant
- Moving or sliding the load point produces negligible effect on output
- The measurement signal represents the only true applied force



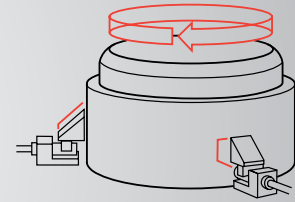
Moving Load



Vibration from agitation



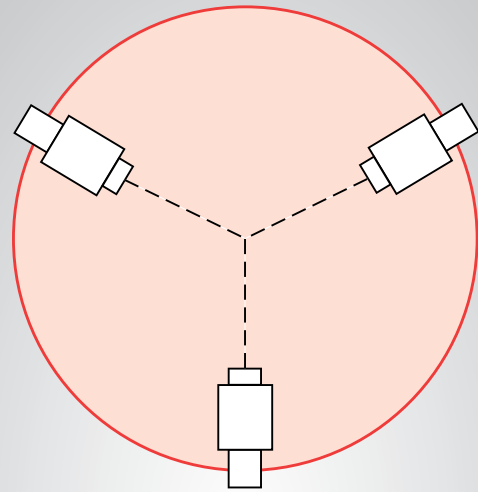
Thermal expansion



Twisting moment caused by agitator



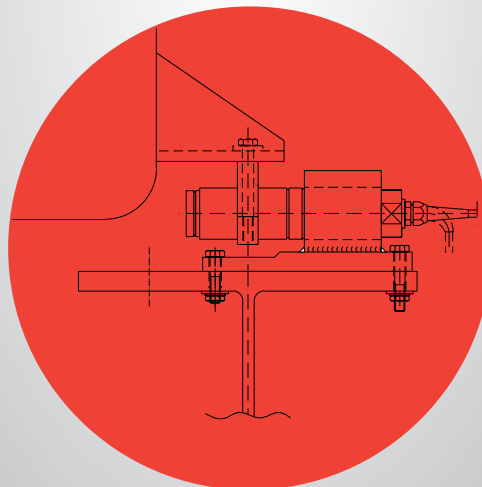
Standard tank weighing



Orienting the load cells towards the center gives a self-locking design that counteracts movement.



Force measurement in materials testing



Cylindrical Design Provides Top Performance

The second secret of superior KIS performance is the cylindrical design. KIS beams can be rotated within the module hardware to coincide with the exact direction of applied weight. Cylindrical, electro-polished stainless steel provides a nearly frictionless surface for the module yoke to slide on during periods of thermal expansion and contraction.

Make it a Module

Adding a stainless steel split clamping block and mounting yoke completes the KIS Beam package. Easy installation, unbeatable accuracy, and IP67 environmental protection make KIS Weigh Modules the industry standard for demanding applications. Superior KIS specifications include:

- Accuracy of 0.02%
- Repeatability of 0.01%

These specifications apply to the complete module, not just the beam.

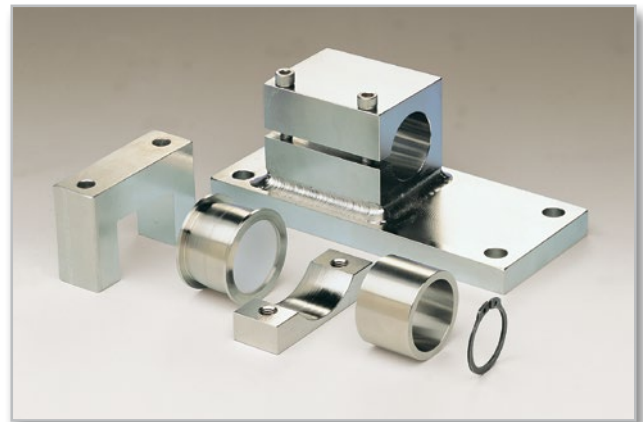
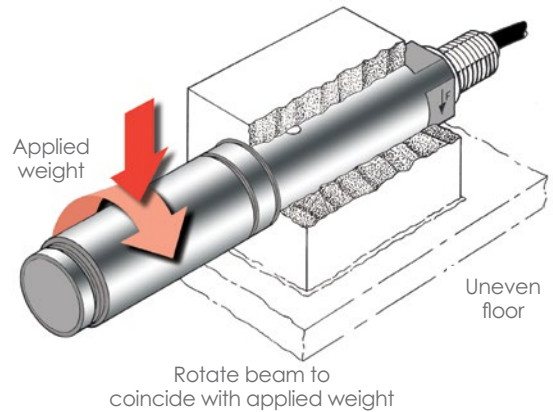
Materials and Finishes

Stainless steel version of the KIS are perfect for food and pharmaceutical applications. Mounting hardware is fabricated from austenitic stainless steel, which has excellent corrosion resistance. The electro-polished finish, rounded surfaces, and minimal crevices allow for easy cleaning.

Strong Enough for the Toughest Environments

KIS Weigh Modules, mounted on dynamic process vessels in harsh, washdown areas, know how to “play dirty.” In fact, they excel in the roughest environments. Corrosive acids, harsh industrial detergents, caustic vapors, and granulated powders never compromise their superior performance. Here's why:

- 15-5 PH stainless steel construction
- FM and CSA approval Class I, II, III; Div. 1,2 Groups A-G
- ATEX certified versions for use in explosive atmospheres are available: II 1GD
- Design meets ANSI/UBC wind and seismic requirements
- NEMA 4-compliant and IP67-compliant
- NTEP-certified with KIS-3 beam—conforming to the requirements of NIST Handbook 44
- OIML-certified with KIS-3 and KIS-11 beam



Optional Teflon bearing for high wear applications.



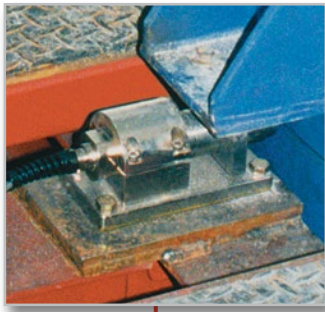
Vessel Passes Through Floor

Orient all modules so that they face radially inward to restrain the vessel in the lateral direction.

Bolt modules to a uniform surface. If located on structural "I" beams, all beams must be both parallel and level.

If thermal insulation pads are not required, bolt the module yoke directly to the vessel gusset.

If thermal insulation pads are required to reduce heat conduction, order optional adapter plates and thermal pads.



Freestanding Upright Vessels

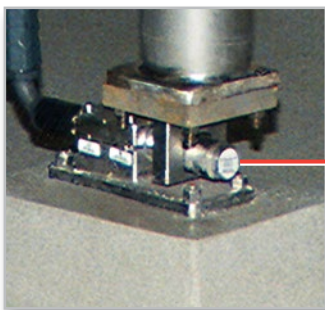
Orient all modules so that they face radially inward to restrain the vessel in the lateral direction.

Bolt modules to a uniform or prepared surface that is both parallel and level. Using concrete grout pads satisfies both requirements.

Optional adapter plates usually are needed to provide support for the vessel legs.







If the vessel is extremely tall, or located out-of-doors, additional lateral restrains might be required to prevent tipping.

Thermal insulation pads prevent heat conduction.



Load Cells and Weighing Modules

We offer high-quality load cells and weighing modules. Our standard KIS, KOSD, KIMD and KISD can be customized to meet special requirements.

<p>KIS-1</p> 	<p>Combined error: % of R.O. ± 0.03 Repeatability: % of R.O. 0.01 Overload: Safe % of R.L. 200 (150 for 300kN and 500kN) Ultimate % of R.L. 300 (200 for 300 kN) Side Load: Safe % of R.L. 100 (50 for 300kN and 500kN) Ultimate % of R.L. 200 (100 for 300kN and 500kN)</p>	<p>Capacities 50 - 500 kN</p>
<p>Request product datasheet number 2947</p>		
<p>KIS-11</p> 	<p>Combined error: % of R.O. ± 0.02 Repeatability: % of R.O. 0.01 Overload: Safe % of R.L. 200 Ultimate % of R.L. 300 Side Load: Safe % of R.L. 100 Ultimate % of R.L. 200</p>	<p>Capacities 50 - 500 kN</p>
<p>Request product datasheet number 2952</p>		
<p>KIS-2</p> 	<p>Combined error: % of R.O. ± 0.05 Repeatability: % of R.O. 0.01 Overload: Safe % of R.L. 200 (150 for 30kN and 50kN) Ultimate % of R.L. 300 (200 for 30kN and 50kN) Side Load: Safe % of R.L. 100 (50 for 30kN) Ultimate % of R.L. 200 (100 for 30kN)</p>	<p>Capacities 1 - 50 kN</p>
<p>Request product datasheet number 2947</p>		
<p>KIS-3</p> 	<p>Combined error: % of R.O. ± 0.02 Repeatability: % of R.O. 0.01 Overload: Safe % of R.L. 200 Ultimate % of R.L. 200 Side Load: Safe % of R.L. 100 Ultimate % of R.L. 200</p>	<p>Capacities 1 - 20 kN</p>
<p>Request product datasheet number 2948</p>		
<p>KIS-8</p> 	<p>Combined error: % of R.O. ± 0.075 Repeatability: % of R.O. 0.02 Overload: Safe % of R.L. 150 Ultimate % of R.L. 200 Side Load: Ultimate % of R.L. 200</p>	<p>Capacities 1 - 200 kN</p>
<p>Request product datasheet number 2949</p>		
<p>KIS-9</p> 	<p>Combined error: % of R.O. ± 0.01 Repeatability: % of R.O. 0.02 Overload: Safe % of R.L. 150 Ultimate % of R.L. 200 Side Load: Ultimate % of R.L. 100</p>	<p>Capacities 5 - 100 kN</p>
<p>Request product datasheet number 2950</p>		

SMART SOLUTIONS FOR
DEMANDING INDUSTRIES

BLH NOBEL
A VPG Brand



Contact

blhnobel.usa@vpgsensors.com

blhnobel.eur@vpgsensors.com

blhnobel.asia@vpgsensors.com

blhnobel.com

DISCLAIMER: ALL PRODUCTS, PRODUCT SPECIFICATIONS AND DATA ARE SUBJECT TO CHANGE WITHOUT NOTICE. Vishay Precision Group, Inc., its affiliates, agents, and employees, and all persons acting on its or their behalf (collectively, "VPG"), disclaim any and all liability for any errors, inaccuracies or incompleteness contained herein or in any other disclosure relating to any product. The product specifications do not expand or otherwise modify VPG's terms and conditions of purchase, including but not limited to, the warranty expressed therein. VPG makes no warranty, representation or guarantee other than as set forth in the terms and conditions of purchase. **To the maximum extent permitted by applicable law, VPG disclaims (i) any and all liability arising out of the application or use of any product, (ii) any and all liability, including without limitation special, consequential or incidental damages, and (iii) any and all implied warranties, including warranties of fitness for particular purpose, non-infringement and merchantability.** Information provided in datasheets and/or specifications may vary from actual results in different applications and performance may vary over time. Statements regarding the suitability of products for certain types of applications are based on VPG's knowledge of typical requirements that are often placed on VPG products. It is the customer's responsibility to validate that a particular product with the properties described in the product specification is suitable for use in a particular application. You should ensure you have the current version of the relevant information by contacting VPG prior to performing installation or use of the product, such as on our website at vpgsensors.com. No license, express, implied, or otherwise, to any intellectual property rights is granted by this document, or by any conduct of VPG. The products shown herein are not designed for use in life-saving or life-sustaining applications unless otherwise expressly indicated. Customers using or selling VPG products not expressly indicated for use in such applications do so entirely at their own risk and agree to fully indemnify VPG for any damages arising or resulting from such use or sale. Please contact authorized VPG personnel to obtain written terms and conditions regarding products designed for such applications. Product names and markings noted herein may be trademarks of their respective owners.